

AAFTA News



American Airgun Field Target Association

Volume 12, Number 6

August 2002

Chairman

Brad Troyer
PH: 256-882-2811
aافتa@airguns.net

Secretary Treasurer

Wade Sutherland
P.O. Box 218
Hernando, MS 38632
PH: 662-429-4663
airguner@bellsouth.net

Governors

Dave Slade
PH: 714-891-6801
airgunwerk@aol.com

Ken Hughes
PH: 770-445-0789
mbmedic@techie.com

Ron Carlson
PH: 218-746-3663
frostbite@brainerd.net

Cliff Smith
PH: 813-884-0507
cliffsmith79@netscape.net

Editor

Jay Olson-Goude
2062 Berkeley Avenue
Saint Paul, MN
55105-1202
PH: 651-699-3048
Fax: 612-376-1833
jolson-goude@msn.com
Jolsongoude@hotmail.com

AAFTA In Cyberspace

World Wide Web:
[http:// www.aافتa.org](http://www.aافتa.org)

E-Mail:
aافتa@airguns.net

From the Editor:

Lots of stuff again this month!

We have our first match report from our friends south of the border, plus another report from those in the great white north. This month we're the North American Field Target Association. Along with the match reports from the usual suspects, we've also got some reports from our long-lost friends on the left coast. Glad to get them Dave—keep them coming.

Roz Sumpter felt like the TVA/ Good Ol' Boys match didn't receive a proper write up last month, so he remedied the situation—on seven handwritten pages! Give me a break next time Roz, my wrists can't take it!

Our resident shop teacher, Don Carkhuff, sent me some plans to use as necessary. They fit perfectly this month—thanks Don.

Steve Hansen of TRRFTC sent me a letter last month and included a great article from the Tacoma News Tribune about the Tacoma club. It's a great article that I wish everyone could see, but it just doesn't fit in our small format. I'll try and scan it to PDF format and send it to Brad and maybe he can post it to the AAFTA site if I can get permission from the News Tribune.

Steve writes: "I simply contacted our local newspaper's outdoor editor, and told him about our little club, and how field target works. Soon thereafter, the outdoor editor interviewed me, and Kyle, our club's chairman. Next he showed up at our next match, and brought with him a photographer. Three weeks later the article appeared in the paper."

Great job Steve, and thanks for sending the article. Anyone else tried anything like that? I'd be interested in hearing about your experiences.

Shoot straight and enjoy the issue.

Jay

In This Issue

AAFTA Member Clubs _____	2
2002 Match Schedule _____	3
Where to Find it _____	4
AAFTA Nationals Entry Form _____	5
BAGA Regional Entry Form _____	6
Old Mexico results _____	7
GIFT July results _____	9
WWCCA July results _____	10
BAGA June results _____	11
BAGA July results _____	13
DAFTC Shenandoah Valley Championship _____	14
Daftc July results _____	15
WFTA July results _____	16
MAFTA July results _____	17
CASA LASC May results _____	18
CASA Prado June results _____	19
CASA LASC June results _____	20
Shop Class with Don Carkhuff: Tank Caddy _____	21
Shop Class with Don Carkhuff: Cut-the-Can _____	22
Frost-Bite 2002 results _____	23
TVA Follow-up _____	24
Swap Shop/Subscription Information _____	28

AAFTA Member Clubs

AA:	Airgunning Atlanta; Atlanta GA Ken Hughes 770-445-0789 mbmedic@techie.com http://www.gajobs.com/airguns	rick.mcallister@worldnet.att
AOA:	Airgunners of Arizona; Mesa, AZ Robert Buchanan 480-461-1113	NIAG: Northern Illinois Air Gunners; Chicago, IL Greg Rozak 773-646-1807
BAC:	Bayou Airgun Club; Baton Rouge, LA Jack Kirkendoll 225-755-1715	NMAC: Northern Mississippi Airgun Club; Hernando, MS Stylie Edwards 662-429-5794
BAGA:	Badgerland Air Gun Association; Bristol, WI Alex Modic 262-895-7251 modic@execpc.com http://www.bagaclub.com	NOCASA: Northern California Airgun Shooters Association San Francisco, CA Mike McKeown 707-253-8029
BEC:	Bulls Eye Club; St. Martinsville, LA Roland Robichaux 318-394-3611	OAFSTA: Ohio Airgun & Field Target Shooters Association; Vienna OH Rick Smelko 330-637-9442
BGAC:	Bluegrass Airgun Club; Lexington, KY Steve Cox 859-263-8378 coxclark@email.msn.com	OASA: Ohio Airgun Shooters Association; Mansfield, OH Bruce Perathaner 419-756-7813
CAC:	Carolina Airgun Club; Winston-Salem, NC Jeff Miller 336-764-4734	PA: Phoenix Airgunners; Phoenix, AZ Bobby L. Cocorran 5325 W. Pierson Phoenix, AZ 95031
CASA:	California Airgun Shooters Association; Los Angeles, CA Dave Slade 714-376-6981 airgunwerk@aol.com	PEL: Pelican Airgunners; Dade City, FL Don Vanderwerker 813-621-1509
DAFTC:	Dominion Airgun Field Target Club; Harrisonburg, VA Claude Phillipy 540-434-2416 cphillipy@planetcomm.net	PFTAC: Pennsylvania Field Target & Airgun Club Lt. Joseph J. Koslop 717-454-7456
DIFTA:	Damascus Maryland Chapter of the Isaak Walton League of America Phil Dean 301-831-9325	PMRPC: Port Malabar Rifle & Pistol Club; Port Malabar, FL Steve Minner 407-728-7850 stevemn@earthlink.net
DJMC:	Delran Junior Marksman; Delran, NJ John Quiter 732-269-3303	PSC: Pearland Sportsman's Club; Pearland, TX Bob Zimmerman 713-436-1794
EFTCC:	Eastern Field Target Competitor's Club Wappingers Falls, NY Ray Apelles 845-896-9792 http://www.bestweb.net/~ateamray	RCA: River City Airgunners; Spokane, WA Tom Price 509-535-7993
ENAF:	Eastern Nebraska Airgunner Field Target; Springfield, NE Rick Kristof 402-253-8230	SSG: Single Shot Group; South Lyon, MI Bill Erwin 313-437-3132
GIFT:	Grand Isle Field Target; Grand Isle, VT Brian S. Johnson 802-372-4173 GrandIsleFT@hotmail.com	TBA: Tampa Bay Airgunners; Odessa, FL Cliff Smith 813-884-0507
IRA:	Indian River Airgunners; Sebastian, FL Henry Hartsfield 561-473-6080 MRWONDERFUL69@aol.com	TRRFCTC: Tacoma Rifle & Revolver Field Target Club Tacoma, WA Kyle McCormack 253-512-0618
MAFTA:	Minnesota Airgun Field Target Association Minneapolis/Saint Paul, MN Jay Olson-Goude 651-699-3048 jolson-goude@msn.com http://mafta.homestead.com	TVA: Tennessee Valley Airgunners; Huntsville, AL Brad Troyer 256-882-2811
MCFG:	Marion County Fish & Game Association Indianapolis, IN Anthony Storey 317-925-5544	WPAA: Western Pennsylvania Airgun Association; Homer City, PA Mark Troxell 412-256-3163
MSTS:	Mid South Tri-State Airgunners Association Memphis, TN Tom Iterly 901-872-0751	WSC: Westfield Sportsman's Club; Westfield, MA Mark Lisowski 413-562-8997
MSFTA:	Mountain State Field Target Association St. Albans, WV Rick McAllister 304-727-2752	WCSC: Williamson Conservation & Sporting Club; Williamson, NY Bill Chappell 315-589-2270
		WWCCA: Western Wayne County Conservation Association Rick Stoutenberg 734-261-1683 http://www.wcca.com/clubs/air_gun.htm
		Associate Member Clubs
		WFTA: Waterloo Field Target Association Waterloo, Ontario, Canada Hans Bormann 519-745-3244
		CMPT: Club Mexico de Tiro Pneumatico S. de R. L. Y C. V.; Mexico Hector J. Medina G. Calz. Legaria 779-302 Col. Irrigacion Mexico D. F. 11500 Mexico 01152.55.5395.0525

2002 Match Schedule

January	February	March	April	May	June
12:AOA 27:EFTCC	2-3: Superbowl match 9: AOA	9: AOA, DIFTA, NMAC 23: DAFTC, IRA, NMAC	6: DIFTA 6-7:Cajun Spring Nationals 7: EFTCC 13: AOA 20: MAFTA 21: WWCCA, WFTA 27: NMAC 28: DAFTC	5: WFTA 11: AOA, IRA 18: BAGA, DIFTA, MAFTA 19: WWCCA 26: DAFTC	2: EFTCC, TRRFTC 8-9: TVA Tennes- see Valley Open 9: WFTA 15: BAGA, DIFTA, IRA, MAFTA 15-16: AOA 22: NMAC 22-23: Shenandoah Valley Champion- ship 23: WWCCA 30: BAGA
July	August	September	October	November	December
7: TRRFTC 13: NMAC 13-14: IRA (Florida 100 Fahrenheit) 14: DAFTC, WFTA 20: BAGA, DIFTA, MAFTA 20-21: AOA 21: WWCCA 27: NMAC	3-4: Frost-Bite 4:EFTCC, TRRFTC 10: NMAC, CASA 10-11: WFTA Ca- nadian Champion- ship 17: BAGA, MAFTA 17-18: AOA 18: DAFTC, WWCCA, NO- CASA 23-25: WFTF World Champion- ships— Norway 24: IRA, NMAC 25: CASA	1: TRRFTC WA State Champion- ships 14: NMAC, CASA 14-15: BAGA Badgerland Region- als, DAFTC VA State Championship 15: WWCCA MI State Champion- ship, WFTA, NO- CASA 21: DIFTA, IRA, MAFTA MN State Championships 21-22: AOA 22: CASA 29: EFTCC	4-6: AAFTA Na- tional Champion- ship 5: DIFTA 6: TRRFTC 12: AOA, MAFTA, CASA 19: BAGA 20: DAFTC, WWCCA, WFTA 26: IRA 27: CASA CA State Championships	2: NMAC 3: TRRFTC 9: AOA, DIFTA MD State Champi- onship, CASA 16: NMAC 17: EFTCC NY State Championship 23: IRA 24: CASA	7-8: IRA FL State Championship 8: WFTA 14: AOA, CASA 29: CASA

Where to find it

FT Air Rifles

Airgun Express(Mako/HW, TX200)	800-896-4867
Airguns Alaska	907-522-5900
Airguns of Arizona (Daystate, Beeman)	480-461-1113
Beeman Precision Airguns (Mako/HW77 & 97)	800-227-2744
Benson Airgun Options	888-952-1231
Burroughs International (Career)	310-457-5932
Ken's Airsports (TX200)	419-837-6459
Mac-1 (Steyr)	310-327-3581
Storey "Custom Shop"	317-925-5544
Wade Sutherland	622-429-4663
W.W. Mann International	317-241-6011

Airgun Accessories

Precision Airgun Ltd.	562-430-9138
-----------------------	--------------

Ballistic Programs

The "A" Team	845-896-9792
Air Rifle Ballistics	813-634-6507
Precision Airgun Ltd.	562-430-9183

Chronograph

Airgun Express	800-896-4867
Storey "Custom Shop"	317-925-5544

Cleaning Kits

Airgun Express	800-896-4867
Airguns of Arizona	480-461-1113
Beeman Precision Airguns	800-227-2744

Field Targets

Precision Airgun Ltd.	562-430-9183
Rick Stoutenberg	313-261-1683
Ron Juneau's Cajun Targets juneaur@bellsouth.net	225-261-7435
After Hours Target Company	AfterHoursTargetCo@att.net

Gas Rams

Dave Slade's Airgunwerks	714-376-6981
--------------------------	--------------

Lubricants

Airgun Express	800-896-4867
Airguns of Arizona	480-461-1113
Beeman Precision Airguns	800-227-2744

Pellets

Airgun Express (Crosman Premier)	900-896-4867
Airguns of Arizona	480-461-1113
Beeman Precision Airguns	800-227-2744
Mac-1	310-327-3581

Publications

AAFTA News	662-429-4663
and AAFTA "Club & Shooters Handbook"	
Airgun Digest 3rd Edition	800-247-4876
Airgun Letter	410-730-5496
Airgun Revue	410-730-5496
U.S. Airgun Magazine	800-247-4876

Regulators

The "A" Team	845-896-9792
	and/or
Joe Korick	914-277-4309
	360-576-8643

Repair & Tuning

Beeman Precision Airguns	800-227-2744
Dave Slade's Airgunwerks	714-376-6981
Ken's Airsports	419-837-6459
Mac-1 (Crosman/Benjamin/Sheridan)	310-327-3581

Scopes

Airgun Express	800-896-4867
Beeman Precision Airguns	800-227-2744

Scope Knobs and/or Levels

The "A" Team	845-896-9792
	and/or
	914-277-4309
Airgun Express	800-896-4867
Beeman Precision Airguns	800-227-2744
Ken's Airsports	419-837-6459
Precision Airgun Ltd.	562-430-9183
Long-Shot Products, Ltd.	513-683-4999

Scope Mounts

Airgun Express	800-896-4867
Airguns of Arizona	480-461-1113
Beeman Precision Airguns	800-227-2744
Mac-1 (Droopers)	310-327-3581
Precision Airgun Ltd. (BKL)	562-430-9183

Silhouette Targets

Precision Airgun Ltd.	562-430-9183
-----------------------	--------------

Stocks

Wade Sutherland	662-429-4663
-----------------	--------------

Airgun Videos

Pellethead	800-213-2088
------------	--------------

Awards and Trophies

Bob Zimmerman	713-680-1329
---------------	--------------



2002 U.S. Field Target National Championship

Sponsored by the Northern Mississippi Airgun Club



- Date: October 4th-6th, 2002. This will be a three-day match.
- Site: Northern Mississippi Airgun Club, Hernando Mississippi.
- Directions: A map and additional match information will be sent to all registrants.
- Rules & Safety: AAFTA rules & safety will be enforced; airguns must chronograph at 20 ft. lbs. or less.
- Practice Range: Open October 3rd from 8:00 am to 4:00 pm and 7 am on match days.
- Course of Fire: 120 shots on 3 courses, one 40 shot match each day. Timers will be used on all courses.
- Classes: Open and Piston.
- Teams: Five shooter club teams, top four for score. Teams must be composed of regular club members.
- Awards: National Champion PCP and Piston, 2nd-5th in each class. High Senior, High Lady, High Junior, 1st place Team.
- Ties Breaker: All ties will be decided by shoot off.
- Entry Fees: \$75 per shooter, \$90 after entry deadline of September 14, 2002.
- Team Fees: \$25 per team due on Oct. 3rd during registration.
- Meals: Lunch will be provided on Fri., Sat. & Sun. for competitors. Non-competitor meals are \$7.50.
- Lodging: Days Inn, 662-429-0000, \$42.50 per night. Super 8, 662-429-5334, \$49 per night. For either, ask for the North Mississippi Airgun Club rate.
- Air Tanks: Air tanks will be provided at the match for \$15 each for the duration of the match.
- Air Travel: Memphis International Airport, please do not make early afternoon return flight arrangements.

For more information or questions, contact Wade Sutherland at 662-429-4663.

----- < (cut here)

Registration form for the 2002 U.S. National Field Target Championship

(please print **clearly** and include all information)

Name: _____ Phone: _____

Address: _____

City: _____ State: _____ Zip: _____

Email: _____

Email Response Package (MS Word): YES___ NO___

Air Rifle: _____ Class: OPEN PISTON (circle one)

Scope: _____ Pellet: _____

Individual Registration \$75 (\$90 after Sept. 14) \$ _____

Air Tank Rental, \$15 for the weekend. \$ _____

Non-Competitor Meals, \$7.50 per meal, Fri.____ Sat.____ Sun.____ \$ _____

Shirts: \$25 each, indicate Size and Quantity

Sm:____ Med:____ Lg:____ XLg:____ XXLg:____ \$ _____

Total enclosed: \$ _____

Make Check Payable to: **NMAC**
Send Entries to: **Brad Troyer**
10231 Melanie Dr.
Huntsville, AL 35803

2002 BADGERLAND REGIONAL Field Target Match

- Date: September 14th & 15th, 2002.
Site: Bristol, Wisconsin
Directions: A map and additional match information will be sent to all mail-in registrants. Also check our website <http://www.bagaclub.com>
Practice Range: Friday Sept 13 from 2:00 to 6:00 pm by special appointment only. 8 am on match days.
Course of Fire: 100 shots on 2 courses, one match Saturday afternoon, one match Sunday morning.
Classes: Open and Piston (Classes may be added as registration warrants)
Teams: Three member teams selected and/or entered, determined prematch. (\$15.00)
Awards: 1st thru 5th in each class, High Lady, High Junior, 1st place team.
Ties Breaker: All ties will be decided by shoot off at sight-in range.
Entry Fees: \$40 per shooter, \$50 after entry deadline. Entries limited to the first 50 shooters.
Entry Deadline: Sept 6, 2001.
Rules: AAFTA rule guidelines.
Safety: AAFTA safety rules will be enforced, airguns must chronograph at 20 ft. lb. or less.
Meals: Competitors will be responsible for pre-match lunch on Saturday. Post match diner on Saturday evening will be provided and post match drinks and snacks on Sunday.
Lodging: Country Inn/Suites (262) 857-3680, Baymont Inns (262) 857-7911, Quality Inn (262) 857-3450 – all within 6 miles. Primitive dry camping is available at the range, water and electricity are not available.
Air Tanks: Air tanks will be shared at the match with those flying in for the weekend. Please indicate on the registration form if you need to share a tank.
Air Travel: Milwaukee Gen'l Mitchel Airport (35 miles from match) or Chicago O'Hare Airport (70 miles from match) Chicago Midway (85 miles from match)

For more information or questions, contact Alex Modic at 262-895-7251

Registration form for the 2002 BADGERLAND Regional FT Match (please print clearly and include all information)

Name: _____ Phone: _____

Address: _____

City: _____ State: _____ Zip: _____

Email: _____

Air Rifle: _____ Class: Open Piston (circle one)

Scope: _____ Pellet: _____

Will need air (3000 psi min): _____ (Yes or No) Camping at range: _____ (Yes/No)

Individual Registration \$40 (\$50 after Sept. 6, 2002) \$ _____

Non-Competitor Meals, \$6 per meal, Num of meals: _____ \$ _____

Total enclosed: \$ _____

Make Check Payable and send entries to: **Alex Modic**

28501 Arrow Rd.
Waterford, WI 53185
262-895-7251

Second FT Shoot in México (Old México)

Héctor J. Medina G.

Hiya All!

For those of you curious enough to look every month into Page 2 of the AAFTA NEWS, it may have come as a surprise to find a Club in México. Well, here we are! And if we are not yet too numerous, we'll make up by being very enthusiastic.

On Sunday 9th, we held our first section shoot in México City. The Club has a National membership, but in most places we only have one or two members. In México City we have 7 very active members.

This shoot took place at the Ajusco range, part of some old Military Pentathlon installations that we can borrow. We are providing the "seed" for gun-training of the young ones, so we get to use the installations.



It was a misty day, light rain would come and go, we had rain with sunshine, rain with fog, rain with wind as well as just light rain and also no rain at all. All in the course of 3 hours.

We are still not as practised as some of you in laying out a course, so it took us almost an hour to lay the course, which you see in this picture.

Analyzed by Brad Troyer's Difficulty Rating System (BTDRS) the course rated a 36 average. Targets were built according to the instructions on the AAFTA web-page, but we made them slightly different. We made them with full boards. Not only are they easier to build, but if you get tired of an animal, you just staple a different print and, ¡presto! It is a totally

different target. Targets get nailed to the ground as pulling the string would otherwise move the whole target. We used as target animals several bunnies, a frog, a dove (which is funny because one of our lady members' name is exactly "Dove"), mouse, squirrel, armadillo, prairie dog (the exotic target) and rat. In all, 12 targets, 3 shots at each, for a total of 36 possible points.

Most of the shots had to be taken standing or crouching, as you either had to "thread the pellet" through the overgrown grass or stand above it and shoot. Either way, notwithstanding some short distances, the course was not an easy one. The course was laid out randomly in order for everyone to shoot, all numbers for BTDRS were gathered before getting everything up and stowed away. AAFTA rules were followed where possible, especially power limits were strictly enforced and we agreed on not dividing by classes as there was only one piston shooter.



Placings were as follows:

Place	Name	Gun	Scope	Pellet	Score
1	Juan Alcántara	Career 707 Carb. 0.20"	Swift 6-18X50	Diablo	21
2	Héctor Medina	Talon 0.22"	Swift 4-12X40	Kodiaks	20
3	Ricardo Villanueva	Career 707 Carb. 0.20"	Swift 6-18X50	Diablo	14
4	Carlos Sánchez	Career 707 Carb. 0.20"	Swift 6-18X50	Diablo	9
5	Ana Rosa Becerra	Diana 48 0.22"	Open Sights	Diablo	8.4
6	Manuel Romero	Daisy 856 0.177"	Lobo 4-9X32	CPL	4

The Career that placed 1st, 3rd, and 4th is the same gun, it was borrowed from shooter to shooter. The Daisy was quite capable of shooting down the FT's, and in the training session the owner was doing alarmingly well, but once the pressure of the match developed, nerves betrayed him.

We had a problem with one target that had the hinge bent and would not fall properly, giving the impression of a "shaved" pellet, we'll have to replace that target.

A factor of 1.2X was given to the Piston shooter on account of the spring gun and the open sights. She did quite well, all things considered.

We still need to work on a number of things, material and otherwise, but we hope to hold an FT every other weekend (weather, holidays and football permitting).

Keep well! Un abrazo from México



Grand Isle Field Target

Grand Isle, Vermont

July 28, 2002

After having to cancel two matches for rain it was great to have such a nice day for a match, with light winds and temps in the 80's.

The average difficulty factor for the 40 shot match was 31 without factoring in the darkness in some lanes and light winds. Average distance was 22.4 yards and the average KZ size was .77".

Doug Miller made the trip all the way from California to shoot with us. Thanks Doug it was great shooting with you!

Great shooting Robert!

Shooter	Score	Gun	Scope	Pellet
Robert Barton	37	ZMLG100	B&L 8-32x	CPH
Brian S. Johnson	35	LG100FT	BSA 10-50x	CPH
Han Apelles	34	AA NJR100	B&L 8-32x	CPH
Doug Miller	30	CR97	B&L 8-32x	CPH

Shooter	Score	Gun	Scope	Pellet
Paul Bishop	32	AA Pro Sport	B&L 6-24x	FTS
Ray Apelles	28	TX200	Burriss 6-24x	CPL

<http://communities.msn.com/GrandIsleFT>

WESTERN WAYNE COUNTY CONSERVATION ASSOCIATION

AIRGUN E MAIL NEWSLETTER

JULY 22, 2002

Jim Everett

The weather was much like last month..hot, sticky, a bit of a breeze but it never was a threat to shooting though. There was no direct sunshine as it was hazy and the monsoon rain did not hit until we were in the clubhouse having lunch and favorite beverage thanks to the club.

We had a couple of new shooters today. Rick Stewart brought his friend, Tom Hainley. They shared Rick's Gamo while Ben Wilson, was brought by his brother-in-law, Dan Mackay. Ben shot with Ken Reeves Sr. and used Ken's TX200. Apparently Ken's coaching helped as Ben turned in a very decent 22. Not bad on tough course. Another new face was Kenny Reeves. He hasn't shot much recently...maybe a couple of years now. He did really well. Much like he used to do when he was regular. We hope to see him back on a regular basis.

On the Saturday preceding the match Rick Stoutenburg had to do all the range preparation by himself as no one showed up to give him a hand. He really needs more support than this. On the other hand he got a lot of help tearing down the lanes and the practice range as well. Thanks to all the competitors for pitching in!

After lunch and the award presentations the Michigan State Championship Match was discussed. It was decided to follow the lead that Roz Sumpter pioneered in his annual match with a twist. We will have Spring Gun, PCP and Open or Unlimited Class. The Open class will allow any and all equipment, straps and jackets included. The energy limit will still remain at 20lbs for rifles. An award for 1st, 2nd and 3rd place for each class will be provided if we have enough shooters.. Rick Stoutenburg is preparing a detailed flyer for distribution. If possible he will e mail me a copy that I will send to all of you.

I will miss next month's match but Ken Reeves has agreed to stand in for me and I will get the results out asap.

RESULTS

60 Shot Match

MATCH WINNER

Eric Sanders	52	86.67%	ZMLG100	.177	CPH	BSA 10x50
--------------	----	--------	---------	------	-----	-----------

A FLIGHT

Ken Reeves Sr.	49	81.67	TX200	.177	CPL	Burriss 8x32
Kenny Reeves	45	75.00	TX200SR	.177	CPL	Burriss 8x32
Rick Stoutenburg	44	73.33	ProTarget	.177	CPL	Leup 6.5x20

B FLIGHT

Rich Nowak	37	61.67	NJR100	.177	Brcda	Ntfr 8x40
James Sumpter	26	43.43	HW77	.177		Tasco 8x40
Jim Everett	25	41.67	TX200SR	.177		Elite 4200 6x24

C FLIGHT

Ben Wilson	22	36.67	TX200	.177		Burriss 8x32
Dan Mackay	21	35.00	TX200	.177		Simmons 6.5x20
Rick Stewart	14	23.33	Gamo 220	.177		Simmons 6.5x20
Tom Hainley	5	8.33	Gamo 220	.177		Simmons 6.5x20

BAGA - Badgerland AirGun Association

Field Target Match

June 15, 2002

Another great day at BAGA for our monthly match. The final course modifications were performed which allowed us to shoot back lanes (#13-25), for a total of 52 shots. The Troyer Difficulty Rating was calculated at 38.7. This was the first match to be run by a team of match directors and a very nice lunch was had by all.

Reported by Vlad Berchanskiy - BAGA

Here are the results of the Match:

Open Shooter	Score/52	Gun	Scope	Pellet
1. Alan Zasadny	46	ZMSteyrLG100	BSA 10-50	CPH
2. Don Carkhuff	45	ZM2002	Nightforce 36	CPH
3. Ron Weber	41	ZMSteyrLG100	BSA 10-50	CPH
Vlad Berchanskiy	40	ZM2002	BSA 10-50	CPH
Terry Peterson	38	ZMSteyrLG100	BSA 10-50	CPH
Dennis Taki	35	ZMSteyrLG100	BSA 10-50	CPH
Bill Slater	34	Daystate CR94	Burriss 8-32	CPH
Brandon Carroll	32	ZMSteyrLG100	BSA 10-50	CPH
Kevin Kuntz	32	Experimental ARZ	BSA 10-50	CPH
Frank Barreca	31	ZMSteyrLG100	BSA 10-50	CPH
Alex Modic	29	ZMSteyrLG100	BSA 10-50	CPH

Spring Shooter	Score/52	Gun	Scope	Pellet
Don Fong	11	HW97 Mk 3	BSA 10-50	CPL
Greg Suave	7	TX200 Mk 2	Burriss 8-32	CPL

BAGA - Badgerland AirGun Association

Field Target Match

June 30, 2002

This was our Second Annual SUNDAY match and it was HOT!! Our usual Sunday visitors were absent and so our standard club members filled in the spots for a very nice shoot. The Wisconsin State Bird (mosquito) was out in full force and even with frequent fogging, there were still some lanes where hoards of mosquitoes added greatly to the Troyer Difficulty Rating.

Today's match scores, well represent the diversity of our shooters and the new course layout. Big congratulations to Vlad Berchanskiy for his second win of the year. Second place went to Rick Zerby, a very nice follow-up to his shooting at the Good Ole Boys match. And a very respectable showing in third, for newcomer Greg Sauve. Greg had only shot his first FT shoot two weeks earlier with a springer and this time out, more than quadrupled his previous score.

The spring piston shooters we expected did not show, and just as well, as our own Brandon Carroll set the course on fire with his super R-1 break barrel and the simple Simmons 18X scope. That really speaks volumes as to what a shooter and his favorite gun can accomplish, especially when you consider that the difficulty rating of this course was 40.7T and the average yardage was nearly 40 yards per shot. Turn your scope down to 18X and see how you can range find targets at 40-60 yards and then try to shoot it with a springer at that. Congrats to Brandon for another First Place win, even if there would have been five other shooters.

Special thanks to Phil Herman and Frank Barreca, who drove all the way from Michigan and Iowa, respectively. The long drives in the heat probably didn't do much to help them aim but I think they enjoyed the match.

Awards were presented at the conclusion of the event and as usual we enjoyed sandwiches, snacks and drinks, including the melted ice cream, provided by the club's members. In addition to these awards, Vlad was presented with the IFP World Record Plaque for his achievement in a recent IFP event.

Thanks again to all the members for their donations and help. Again, congratulations to all winners.

Reported by Alex Modic – BAGA

You can see match pictures and more details about BAGA at our website <http://bagaclub.com>

Open - Shooter	Score/52	Gun	Scope	Pellet
1. Vlad Berchanskiy	41	ZM2002	BSA 10-50	CPH
2. Rick Zerby	40	CR-X	Burris 8-32	CPH
3. Greg Sauve	38	ZMSteyrLG100	BSA 10-50	CPH
Ron Weber	32	ZMSteyrLG100	BSA 10-50	CPH
Andy Klabunde	30	FWB P-70 JR	Bushnell 8-32	CPH
Frank Barreca	29	ZM	BSA 10-50	CPH
Phil Herman	28	ZMSteyrLG100	Burris 8-32	CPH
Alex Modic	23	CR-X	BSA 10-50	CPL
Dennis Taki	16	ZMSteyrLG100	BSA 10-50	CPH
		CR-94 ZM		

Spring - Shooter	Score	Gun	Scope	Pellet
1. Brandon Carroll	31	HW R-1	Simmons 6-18	CPL

BAGA - Badgerland AirGun Association

Field Target Match

July 20, 2002

Today was very hot, very muggy and very buggy - but we shot FT any way. A couple of our shooters didn't get a chance to catch up on their sleep and some didn't have their gear in top order, but did I mention it was HOT. We shot the 48 shot match in record time, although I do think some of the shooters took a nap towards the end and were 45 minutes late in reporting scores. Congrats again to Vlad for his shoot-off win. The shoot-off was 5 shots at the 3/8" snake at 24 yards and both Vlad and Andy were able to knock it down 4 times. We had one each participants in the spring and chair class. Again, lunch was available and awards presented after the match. See you next month and don't forget to register for the Badgerland Regionals!!!

Thanks again to all the members for their donations and help. Again, congratulations to all winners.
Reported by Alex Modic – BAGA

You can see match pictures and more details about BAGA at our website <http://bagaclub.com>

Open - Shooter	Score/52	Gun	Scope	Pellet
1. Vlad Berchanskiy	34*	ZM2002	BSA 10-50	CPH
2. Ron Weber	34*	ZMSteyrLG100	BSA 10-50	CPH
3. Andy Klambunde	28*	FWB P-70 JR ZM	Bushnell 8-32	CPH
Frank Barreca	28*	ZMSteyrLG100	BSA 10-50	CPH
Allen Zasadny	27	ZMSteyrLG100	BSA 10-50	CPH
Dennis Taki	27	ZMSteyrLG100	BSA 10-50	CPH
Alex Modic	26	ZMSteyrLG100	BSA 10-50	CPH
Greg Sauve	23	ZMSteyrLG100	BSA 10-50	CPH
Bill Howarth	11	ZMSteyrLG100	Bushnell 8-32	CPH

Spring Piston Class	Score	Gun	Scope	Pellet
---------------------	-------	-----	-------	--------

1. Don Carkhuff	21	Air Arms TX-200	Burriss 8-32	CPL
------------------------	----	-----------------	--------------	-----

Shooter	Score	Gun	Scope	Pellet
1. Terry Peterson	31	ZMSteyrLG100	BSA 10-50	CPH

DAFTC

Dominion Airgun and Field Target Club

Dominion Airgun and Field Target Club held their yearly Shenandoah Valley Field Target Championship at the club range in Lacey Spring, Virginia on June 22 & 23, 2002. The day was perfect for a match like this. The temperature reached 89 degrees but the shaded firing line with a gentle breeze was a very pleasant placeto enjoy the shooting and the shooters. The course was set up to be very challenging. Joe Whittaker told us after the match that the set up was as tough as Atlanta. This course is not spring gun friendly, or good to off-handers. 48 shots were fired Saturday between 11am and 1:30pm then all the visiting shooters were taken on a pest control shoot. 123 sparrows, starlings, and pigeons met their Waterloo that afternoon. ON Sunday morning the match resumed at 10:30am and 72 shots were fired by 3:30pm.

Open Class

Shooter	Gun	Scope	Pellet	Score
Werner Wicha	Walther 300DM	BSA 10-50	CP10.5	104
Joe Whittaker	FN 19TRW	B&L 4200 6-24	FTS	99
Sam Ventura	MK-111 pro target	Leupold 6.5-20	CP-10.5	97
Stacie Ritchie	FN19TRL	Swift 6-24	Kodiak	69
Guy Omictin	P-70 JKZ	Hakko 10-50	Kodiak Match	94
Spring Piston				
Frank Turner	H-W97	BSA36X Comp.	FTS	66
Claude Phillippy	H-W77	Simmons 44Mag.	CPL	28
Hunter				
Roger Feddon	R-9	Weaver V-16	CPL	11
Melvin Fox	R-10	Bushnell 4-12	CPH	08

We wish to thank all of the competitors for making the match the success that it turned out to be. For information on the Sept. Va. state match call me at (540) 432-1328 or e-mail me at sugarpapa123@aol.com

The pest control shoot will be a normal part of all DAFTC matches
The DAFTC schedule for the rest of the 2002 season is as follows
July 14th, Aug 18th, Sept 14th & 15th Virginia State Field Target
Championship Match {pest control shoot} call to register or e-mail.
Oct 20th, last shoot. F.T.

DAFTC

Dominion Airgun and Field Target Club

Dominion Airgun and Field Target Club held their July 14 match as scheduled . The rain broke off at 10: 45 am. This match though small in attendance did not lack quality . Steve Schulz fired a whopping 71 out of 72 in open class . I have not yet calculated the difficulty of the course but it was a tough set up. .75 " kill zone at 53 yds. 10 .50 kill zones averaging 22 yds unless you have shot at our range you can't appreciate the accomplishment . The first half of the match was held in a light drizzling rain and finished with rain threatening . How ever under the trees on the firing line things were quite pleasant. We wish to thank all the shooters that braved the weather to come out and shoot. All you guys that drove the 2 + hours to get to the match a big thank-you .

Steve Shhulz	Simple Simon	NightForce 36X	71
Werner Wicha	CR97se	BSA 10-50	66
Abe Diaz	ZM2002	?	58

Junior Class

Mike Schulz	ZM2002	BSA 10-50	100
-------------	--------	-----------	-----

Hunter Class

Roger Feddon	R-9	Swift 4-12	37
--------------	-----	------------	----

Off Hand

Frank Turner	R-9	Swift 4-12	6
--------------	-----	------------	---

As I said attendance was small but we had a really great time.
I wish to say Steve Schulz is at the top of his game and shooting great.
Look out Nationals. Frank Turner

Waterloo field Target Club (Canada) Match – July 14, 2002

By match time, the temperature was well into the 80s and topped out at about 88°F in the afternoon. Unfortunately only 7 shooters made it to the match due to holidays, gun problems and illness. For those who did make it, there was a challenging match set out for them. According to the Troyer scale, the course difficulty was 34.1, average kill zone was .9", average distance was 27 yards and the overall hit percentage was 67%. Plans are under way to have a good variety of shots at the Canadian Nationals that will challenge the best and allow for decent scores by all.

By match time at 11:00 AM, the wind was just starting to move a little and it picked up during the match to make shots more challenging, especially the longer ones past 30 yards. The top 3 or 4 shooters had most of their dropped shots on the longer targets. All of the top 4 missed our 42 yard, .625" kill that was set at the end of a dark tube. The target was in the shade and the shooters were in bright sunlight. The difficulty rating was 84 and there was one hit, by the first shooter who could see the florescent paddle; after that it was a guessing game.

Will was trying to set his scope up during the match and missed the first shot quite often and would pick up the second shot based on where the first hit. Noel, with his 4X scope was guessing fairly often. Hans worked the bugs out of his rig and shot well to place third. Dennis had some problems on the windy lanes, but mowed everything else down to place second. Tim missed the long ones as well, but managed to hold on and edge in for first.

For next month's Nationals, we have 24 bush lanes and 6 field lanes ready. We will shoot the 60 shot red course on Saturday and 60 more shots on the white course on Sunday to complete the 120 shot match. We are hoping all of our regular shooters will attend and look forward to greeting the US shooters who are making the trip to compete for the title.

See you next month.
Tim MacSweyn

Results

Shooter	Gun	Scope	Pellet	Score /58)*
1) Tim Mac-Sweyn	ld/SS	Bushnell 36X	CP 10.5	53
2) Dennis Eden	NJC100	Nightforce	Barracuda	50
3) Hans Bor-mann	Pro Target	Leupold 18-40X	Barracuda	47
4) Bert Habicher	AA 300s	Simmons 6.5-20X	Barracuda	44
5) George Harde	TX200	Bushnell 8-32X	FT Trophy	36
6) Will Kwan	TX200 HC	Burriss 8-32X	Barracuda	22
7) Noel Sedman	AA s300	No Name 4X	CP 7.9	17

* One target was pulled from the match

MAFTA

Results July 2002

July 20, 2002

Conditions

Temp: 65F

Precipitation: Rain

Wind: 0-5 mph E

42X possible

Open Division

Ron Carlson	Air Arms Custom 100	Nightforce 36	Premier 10.5	38
Mark Catlin	Steyr LG-100ZM	Leupold 20-50	Premier 7.9	33
Ben Fok	Daystate Huntsman PH6	Burris 8-32	Premier 10.5	24
Andy Keogan	FWB P70	Leupold 20-50	Premier 7.9	15
Adam Nelson	Career 707 II	Bushnell 6-18	Premier 14.3	13
Karen Skogen	Air Arms NJR 100	Burris 8-32	Premier 10.5	DNF
Fran Hufnagel	Daystate CR-97	Leupold 20-50	Premier 10.5	DNF
Lance Peters	Anschutz 2025	Burris 8-32	Premier 10.5	DNF

Piston Division

Jay Olson-Goude	Air Arms TX-200	Burris 8-32	Kodiak Match 10.6	25
Johnpaul Okal	Beeman HW-97	B&L 8-32	Premier 7.9	DNF

CASA LASC Field Target Match May 19th, 2002

Match Winner

David Slade	50/52	NJC 100	B&L 6-24	Premier 10.5
-------------	-------	---------	----------	--------------

Open Class

Bob Winer	46/52	ZMLG100	Bushnell 8-32	Premier 10.5
Tim Mc Murray	46/52	Steyr LPFT	B&L 8-32	Premier 10.5
John Spencer	45/52	2002 ZM	Burriss 8-32x	Premier 10.5
Jennifer Valadez	42/52	Mako FT	B&L 6-24	Kodiak Match
Vipha Miller	38/52	FWB P70 Jr.	B&L 6-24	Premier 10.5
Doug Miller	38/52	CR97	B&L 8-32	Premier 10.5
Richard Shimizu	38/52	NJR 100	Nightforce 8-40x	Premier 10.5
Leo Hwong	34/52	Talon SS	Simmons 6-18x	Premier .22

Combined Spring Piston Class

Vince Pacheco	47/52	TX200	BSA 10-50	Lazadome
Joe Haddad	38/52	VTL 97 MK3	B&L 6-24	Premier 7.9
Kevin Hasegawa	37/52	HW97 MkII	B&L 8-32x	Premier 7.9
George Gardner	36/52	SLR98	Simmons 6-20	.22 Premier
Ron Jobbes	31/52	JW60	Tasco 5-20x	JSB
Marco Valadez	23/52	HW97	B&L 6-24	Premier 7.9
Argen Wong	16/52	?	?	?

Scores not counted (rangefinders used)

Larry Durham	35/52	JW60	Leupold 14x	JSB Lazapells
Mike Wann	34/52	R9	Bushnell 6-18	?

CASA Prado Field Target Match June, 2002

Match Winner

Peter Maxfield	24/32	Pro Target	Burris 8-32x	FTS
----------------	-------	------------	--------------	-----

Open Class

Richard Shimizu	22/32	NJR 100	Nightforce 8-40x	Premier 10.5
Leo Hwong	15/32	Talon SS	Simmons 6-18x	Premier .22

Spring Piston Class

Rob Wild	22/32	TX200	Bushnell 8-32x	FTS
Mike Wann	21/32	HW97K	Bushnell 6-18x	Lazapell
Tom Olivieri	19/32	HW97M	Bushnell6-24x	FTS .20
Ed Curry	13/32	HW77	B&L 6-24x	Kodiak Match
Kevin Hasegawa	8/32	HW97 MkII	B&L 8-32x	Premier 7.9

We had a small crowd for the June match at Prado. It seems there was a competing match going on back east somewhere. But from my perspective, it was perfect. We had an even number of contestants so there were no 3-man squads, there were no shoot-offs, and there was plenty of help with set up and tear down. Now if I only I could hit a few more targets, life would good.

In terms of hitting targets, it was Peter Maxfield's day. He hit 24 out of 32 to win the match overall. First place winners in the open and spring classes were Richard Shimizu and Rob Wild, respectively, with identical scores of 22. It's rare for a springer to match the first place score in the open class and, if memory serves, this is Rob's first class win. Congratulations!

We also enjoyed the company of three new shooters; Leo Hwong, Mike Wann, and Tom Olivieri. Mike and Tom did particularly well finishing second and third in the spring class right behind Rob. We hope to see you all again at the next match.

Ed Curry

CASA LASC Field Target Match June 24th, 2002

Match Winner

David Slade	49/52	NJC 100	B&L 6-24	Premier 10.5
-------------	-------	---------	----------	--------------

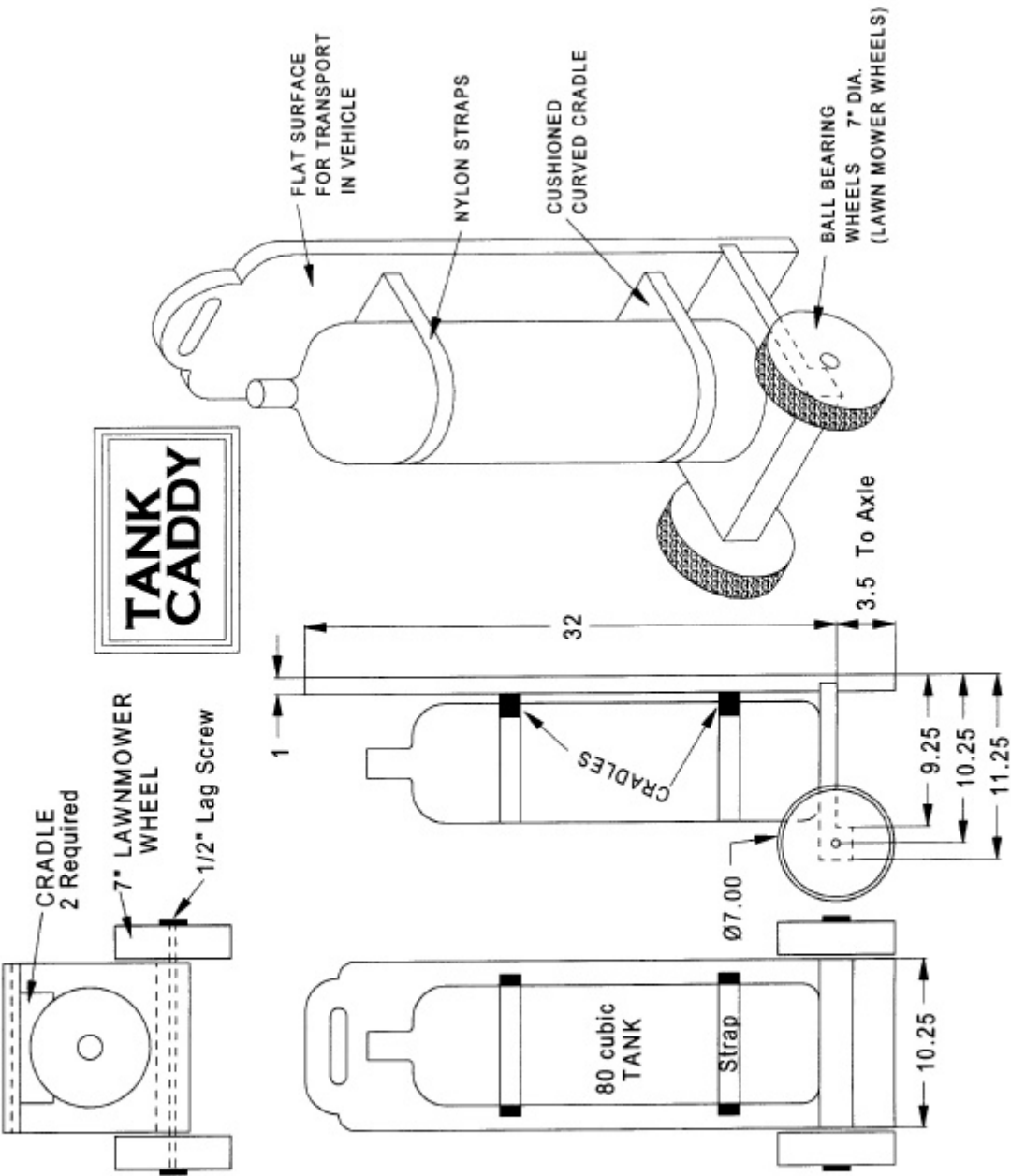
Open Class

John Spencer	46/52	2002 ZM	Burris 8-32x	Premier 10.5
Tim Mc Murray	38/52	Steyr LPFT	B&L 8-32	Premier 10.5
Robert Mijares	37/52	Dominator	Tasco 8-40	Kodiak Match
Doug Miller	36/52	Steyr LG100	Tasco 10-50	Premier 10.5
Leo Hwong	35/52	Talon SS	Simmons 6-18x Premier	.22
Jennifer Valadez	34/52	Mako FT	B&L 6-24	Kodiak Match
Rob Wild	28/52	Viper	Bushnell 6-18	FTS .22
Vipha Miller	19/52	FWB P70 Jr.	B&L 6-24	Premier 10.5

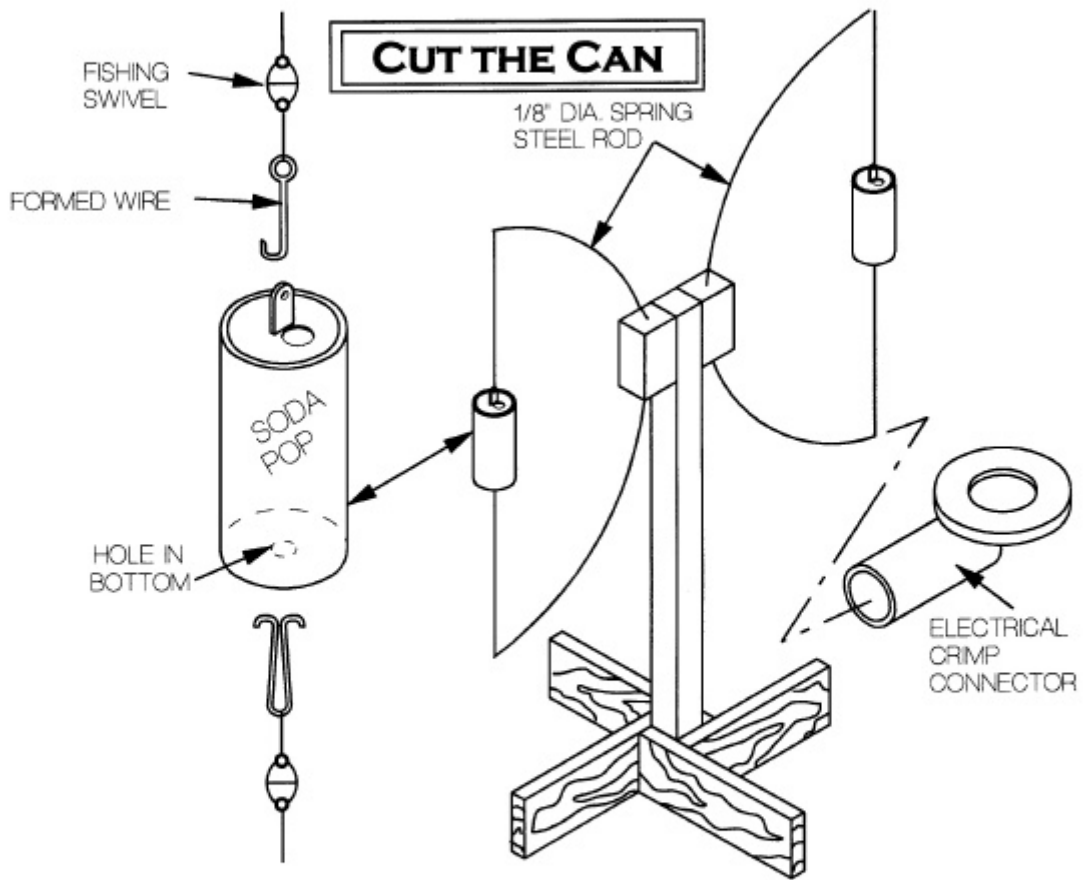
Combined Spring Piston Class

Mike Wann	36/52	Venom 97	Bushnell 6-18	Premier 7.9
Joe Haddad	34/52	Venom 97	B&L 6-24	Premier 7.9
George Gardner	33/52	SLR98	Simmons 6-20	.22 Premier
Ron Jobbes	23/52	JW60	Tasco 5-20x	JSB
Marco Valadez	8/52	HW97	B&L 6-24	Premier 7.9

Shop Class with Don Carkhuff



Shop Class with Don Carkhuff



Frost-Bite 2002 Results

August 3-4, 2002

Conditions

Perfect!

Temp: 70F

Precipitation: None

Wind: gentle breeze

100X possible

Open Division

Ron Carlson	Air Arms Custom 100	Nightforce 36	Premier 10.5	92
Rick Zerby	Daystate CRX	Burriss 8-32	Premier 10.5	89
Mark Catlin	Steyr LG-100ZM	Leupold 20-50	Premier 7.9	83
Dale Montbriand	FWB P70	Nightforce 36	Premier 10.5	79
Bill Slater	Daystate CR94	Burriss 8-32	Premier 10.5	77
Fran Hufnagel	Daystate CR-97	Leupold 20-50	Premier 10.5	55
Bryon Chirpich	Talon SS	Tasco WCP	Premier 14.2	46

Women

Amy Montbriand	Daystate LR-90	Burriss 8-32	Premier 10.5	69
----------------	----------------	--------------	--------------	----

Juniors

Andy Keogan	Daystate CR-97	Leupold 20-50	Premier 10.5	66
-------------	----------------	---------------	--------------	----

Piston Division

Jay Olson-Goude	Air Arms TX-200	Burriss 8-32	Kodiak Match 10.6	34
-----------------	-----------------	--------------	-------------------	----

This was a new venue for the Frost-Bite. MAFTA member Mark Catlin owns a small farm in Wabasha, Minnesota, about 90 miles south of the Twin Cities. Using Mark's property and some of his neighbor's property, Ron and Mark fashioned 25 beautiful field target lanes. The south course, shot by everyone on Saturday, was extremely hilly, and had some unique target placements. For those who attended the 2000 Worlds/Nationals in Minnesota, this course reminded me quite a bit of the Blue course at that match. There were thirty targets on this course for a total of sixty shots. The north course had fewer targets, twenty, and was more like what we are used to shooting. It even had one flat, level and open lane! Some shooters shot this course on Saturday, others waited until Sunday. After Saturday's field target shooting, some of us took advantage of Mark's extensive Airsoft arsenal to stage a mock war. After shooting each other for a while, we settled down for a great dinner of No-Name steaks, baked potatoes, and sweet corn. The match set-up was flawless, and the setting was idyllic. Many thanks to the Carlsons and the Catlins for their hard work and hospitality.

2002 TVA/Good Ol' Boy Follow up

As you know, the match results for the TVA/Good Ol' Boy match were published in last month's newsletter. However, the appropriate descriptive write-up was not. Only a brief summary thank you accompanied the order of competitor finish. That was a slight glitch in communication which I'll try to correct at this time:

Both match days were very similar in temperature (low to mid 80's) and other weather conditions. I believe this helped to balance the scores between the two very different courses. There's no doubt those who shot on the unprotected, wind-ravaged red course on Saturday afternoon were praying that Sunday would provide the same experience for the next round of competitors.

As with our 2001 match, Brad Troyer and I had decided on a 1:00 p.m. Saturday afternoon start. This was to allow adequate time for those of a near distance to make the morning drive, and, perhaps save the expense of an additional night's accommodation. Even so, many registrants arrived by Friday afternoon, which allowed us to have a large gathering and gab-fest at a local Chinese restaurant.

Prior to all of this, Cliff Smith and his wife Thelma had arrived at my place that Tuesday. Cliff knew what to expect. He had stayed with ma and helped considerably the previous year. We laid out our strategy for set-up the following day.

Cliff and I were making good progress in setting up the practice range on Wednesday when Ron and Linda Juneau arrived. After getting them settled in their room, it was off to the races for Ron, Cliff and I.

Ron Juneau took on the responsibility of repainting the target faces of all the used targets on hand while Cliff and I continued with the practice setup. Next we moved to course grooming in anticipation of Brad's arrival and target placement. By late Friday, we were completely ready for a match, with the exception of the attaching of the reset cords – it went like a well-oiled machine.

As mentioned earlier, one course (Red) was pretty much unprotected from the elements. As such, it presented itself as the more hostile of the two. However, co-director Brad Troyer mercifully provided a canopy shelter at each of the shooting pads. This helped immensely with the comfort level and probably added a point or two to the scores.

For those of you concerned with the dreaded standing shots, there was only one lane featuring them. However, as with the majority of the lanes, it presented three targets requiring two shots each. Although all three standers were placed at relatively close distances, they did indeed extract their toll on scores.

The Red course layout also presented the challenge of shooting in three different directions, with considerable elevation thrown in. Start with a sprinkling of westerly uphill shots, add a liberal dose of southeasterly downhill critters, Then toss in one bear of a lane: a high-angle southwesterly fully-exposed l-o-n-g range score killer.

Of the fifty shots required, high score on the Red course was David Slade's (46.)

In contrast to the Red course, the White course was situated along a flowing creek. It provided the luxury of a full tree canopy, offering complete protection from direct sunlight, as well as considerably reducing the effects of the wind.. As you might guess, the White course proved the favorite. It must have knocked ten degrees off the temperature, and surely contributed to the highest score of the match.

Target variety and placement were more interesting and diverse along the White course. There were gators and frogs in the water and snakes were coiled on the creek bank. Possums and raccoons were foraging on a steep hillside, and what a hillside it was.

The score-spreading lane on the White course was one that provided three targets at increasingly l-o-n-g distances. They were all positioned on the far side of the creek, at an angle of elevation that, in some cases, initiated rather unconventional shooting positions. In doing so, the pre-charged guns proved much more adaptable when deviating from one's normal shooting position.

Of the fifty shots required, a masterful score (49) was rendered by James White.

An out-of-the-norm feature employed at this match was an equipment check lane positioned at the entrance to each course. The idea was that they provide an opportunity for a competitor to possibly salvage his score. If the shooter is experiencing what seems to be an equipment malfunction, and the other squad members agree, a marshal is summoned. At that time, the shooter is briefly excused from the course in order to verify equipment function. To my knowledge, only one shooter availed himself of this feature.

As for target function, we had two units requiring replacement, one on each course, with minimal disruption. Only one of the two malfunctioning targets required that we give everyone the two possible points for score. The other malfunctioning target had been discovered at the beginning of the match. In both cases, the targets were of a new design and we made the cardinal error of not testing them prior to use.

Due to the distance of the White course from the practice facility, we shuttled those competitors by way of a farm tractor and re-fitted trailer. As it were, one round trip a day accommodated all. However, there was a bit of comedy relief during one shuttle run:

It seems that Ken Hughes had missed the departure of our shuttle transport. He began running, with gun gear in hand, trying to catch the wagon as it trundled along. It was quite a sight to the passengers as they tried to bring my attention to Ken's ordeal. As I was riding drag, I eventually took notice and picked him up, but not before Mr. Hughes had endured quite a workout. Hopefully that extra exertion of Ken's didn't cost him any points.

At the end of the first day of competition, we all adjourned to a very nice restaurant next door to the host hotel. You can imagine what the conversation centered on as everyone enjoyed their meal and favorite beverage. Coincidentally, it turned out to be the birthday of Ken Reeves' wife Kathy. Kathy ended up receiving a very off-key chorus of Happy Birthday along with the cake Ken had arranged for her.

At the end of the match on Sunday, there was one clear winner, (or should I say Winer) and three tie scores for trophies.

Our congratulations go out to Bob Winer as overall Match Champion. Bob was steady over both days and managed to stay one point ahead of his nearest competition, Don VanDewerker, each day. A winning score of 93/100 was outstanding considering the adversity Bob faced.

A tie score for the honor of PCP Champion had to be decided between Wade Southerland and Rick Zerby. Wade made it quick and easy with a gracious concession to Rick, with out shoot-off.

Another tie score involved Tom Itterly and Ken Hughes for the third place PCP trophy. After a brief shoot-off, Ken emerged victorious.

The final tie was between Ken Reeves and Roz Sumpter to decide third place in the piston class. As with Wade and Rick, Roz conceded to Ken without the requisite shoot-off.

Another of those memorable match moments occurred at the awards ceremony. It turned out that we had no female

competitors at this match, but we had provided a trophy for High Lady. Not wishing for this award to go unclaimed, Brad Troyer took it upon himself to award it to Alan Otsuka. In the proper spirit of the situation, Alan accepted the High Lady trophy. He then stuffed his T-shirt, to give the appearance of a bustline, and proceeded to parade around like a grateful little wench. We all had a good laugh on that one, and we're grateful that Alan's personality is such that he took no offense.

A brief auction was conducted after the match meal. Brad did his usual outstanding job as auctioneer, and we were able to raise needed funds for the continuing field target-related improvements to the grounds. Then it was a matter of wrapping up things and sending people on their way home. Although, a few did linger for a little "hair of the Beast" beverage and chawin' session.

All in all, it was another fun match that Brad and I enjoyed hosting. We look forward to the next one.

Roz

Match winner: Bob Winer

Open Class Champion

Don VanDewerker

PCP Champion

Rick Zerby

Piston Champion

Brad Troyer

2nd

James White

Wade Southerland

Cliff Smith

3rd

Tom Pipken

Ken Hughes

Ken Reeves

High Lady: Alan Otsuka!

AAFTA Swap Shop

For Sale: Beeman FWB 124D \$350 UPS Ground included. Has new Maccari spring and seal
Includes rear sight filler plate and buyer's choice of Boyt case or SKB hardshell case.
Like new condition except for a small scratch on the receiver and a rough front sight.
805 FPS with Premier 7.9 pellets.
Contact Jay Olson-Goude at 651-699-3048 after 5: p.m. CDT or e-mail me at jolsongoude@hotmail.com

Swap Shop ads are free. Advertise your unwanted field target equipment here—I'll run the ads until you tell me to stop..
Submit your ads according to this schedule:

Jan/Feb_____Jan 20	June_____May 20	Sept_____Aug 20
Mar/Apr_____Mar 20	July_____June 20	Oct_____Sept 20
May_____Apr 20	Aug_____July 20	Nov/Dec_____Nov 20

AAFTA News Subscription

Name: _____

Address: _____

City: _____ State: _____ Zipcode: _____

Telephone Number: _____ E-mail: _____

Club Affiliation: _____ Field Target Shooter: _____ Other: _____

Make Check payable to:

AAFTA

Mail to:

AAFTA c/o

Wade Sutherland

P.O. Box 218

Hernando, MS 38632

Subscription Rates for 12 Months: \$20 United States \$23 Canada/Mexico \$33 Overseas Airmail

The AAFTA news is published 9 times per year. Deadlines for submissions are as follows:

Jan/Feb_____Jan 20	June_____May 20	Sept_____Aug 20
Mar/Apr_____Mar 20	July_____June 20	Oct_____Sept 20
May_____Apr 20	Aug_____July 20	Nov/Dec_____Nov 20

AAFTA News
2062 Berkeley Avenue
Saint Paul, MN 55105-1202
